



OPENGATE®

HIGHEST THROUGHPUT WEAPONS DETECTION

OF PEOPLE WITH BACKPACKS,
PURSES, AND BAGS





HOW OPENGATE IMPROVES WEAPONS SCREENING

OPENGATE is a **Groundbreaking Weapons Detection System** designed for faster screening of people with their backpacks, purses and bags, etc. for the detection of a large variety/number of Metal Threats, such as high caliber assault weapons

- **MULTI-CALIBER WEAPONS DETECTION**
- **HIGHEST THROUGHPUT** with near zero nuisance alarms
- **NO DIVESTING REQUIRED** with backpacks, purses and bags*
- **HIGHLY PORTABLE**
Weighs only 25 lbs
- **QUICK TO SETUP AND INSTALL**
Requires less than 1 minute.
Simply set up, switch on and go. No technician required
- **VERSATILE USE**
Indoor or outdoor use, with no overhead cover required
- **EASY TO OPERATE**
Clear GO/NO GO signaling and operation requires limited training
- **STANDARDS-BASED PERFORMANCE**
Meets recognized international and federal security standards

* Depending on the chosen security level





GENERAL DESCRIPTION

OPENGATE is the first and only fully open, active walk-through detection system

- ✓ **OPENGATE is the most portable, elegant, easy to position and ready to use weapons detection system.**
No installation, adjustment or assembly procedures
- ✓ Contrary to walk-through metal detectors, **OPENGATE does not require any mechanical or electrical connection** between the two pillars that define the passageway
- ✓ **Proprietary arch-free structure and operation solution**
- ✓ **Specialty top cap** allows for alarm visibility even in direct sunlight
- ✓ **OPENGATE power supply options** include either lithium ion batteries and/or standard wall outlet (110v)
- ✓ **Acoustic and optical signals,** located at the top of the pillars, provide real-time status and alarm indications



FEATURE HIGHLIGHTS

OPENGATE is extremely versatile and can be used at a variety of entrances or security checkpoint locations, **either indoors or outdoors**

- **DETECTION TARGET**

Multi-caliber weapons and IEDs

- **OPERATIONAL USE**

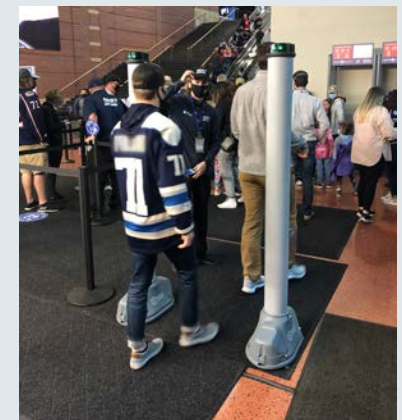
- Faster screening of people in transit with bags, backpacks, and purses
- Extremely high throughput
- Integrated high-precision transit counter

- **APPLICATIONS**

Applications include school building and event entrances; in general all places open to students, visitors, and the public characterized by high access flow, in continuous or limited in time

- **EASY TO RELOCATE AND QUICK TO INSTALL**

Only 25 pounds with less than 1 minute setup time, it does not require adjustments or the assembly of mechanical and electrical parts



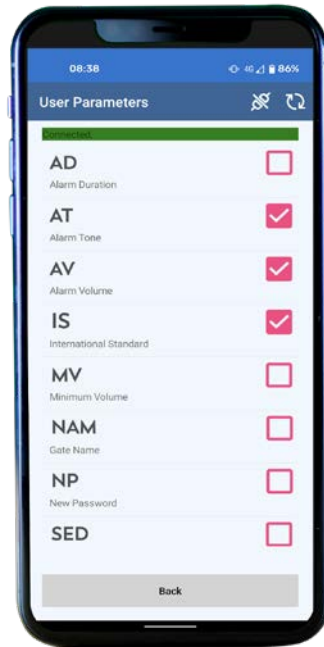


OPENGATE® APP

Detection and signaling parameters can be easily set via the OPENGATE App, designed for **smartphones** or **tablets** and based on Android or iOS operating systems

✓ OPERATIVE SCREEN

✓ USER PARAMETERS



- EASY TO POSITION AND QUICK TO USE



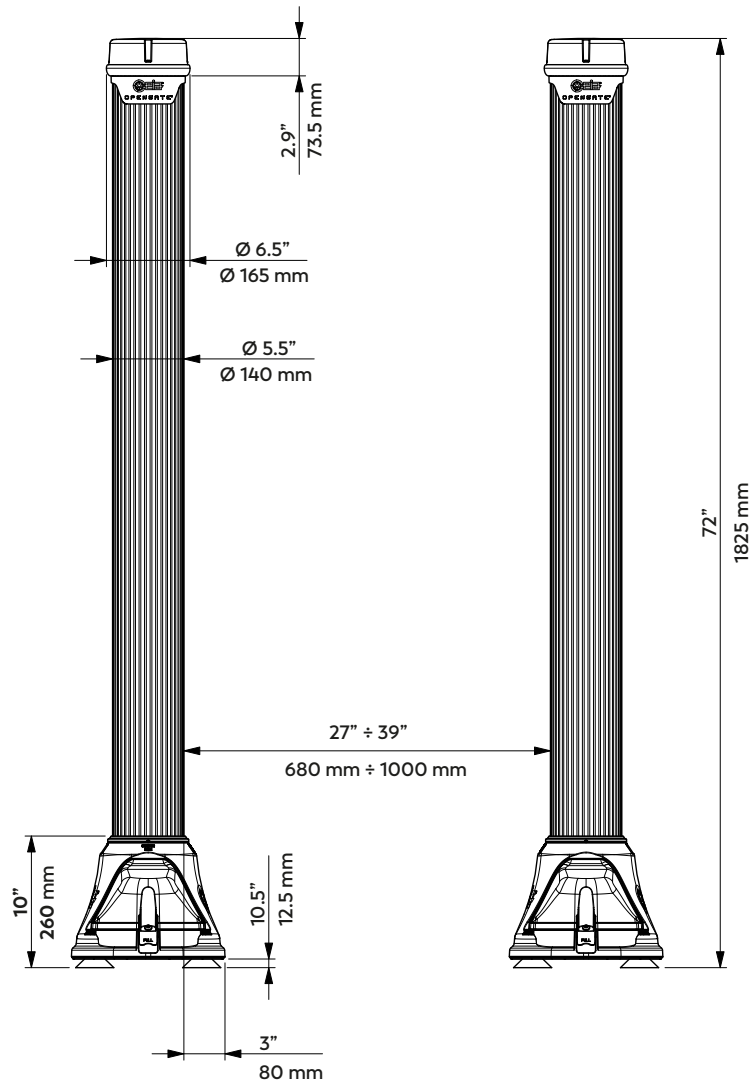
- 360° VISUAL ALARM INDICATION

- CARRYING HANDLE
- ON/OFF SWITCH
- BATTERY COMPARTMENT (2x)
- ADJUSTMENT FEET

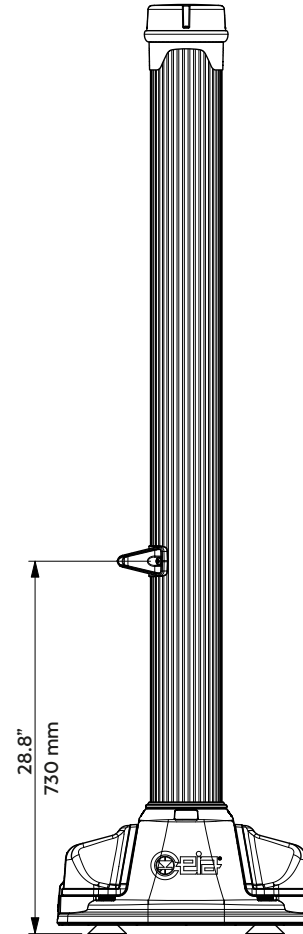


OVERALL DIMENSIONS

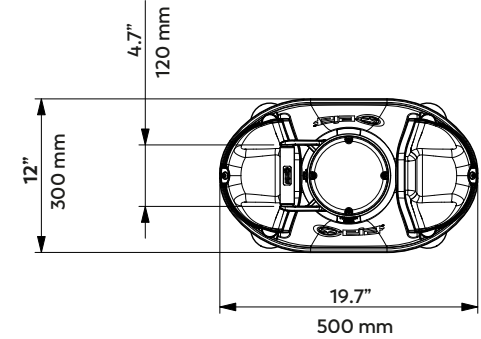
FRONT VIEW



SIDE VIEW



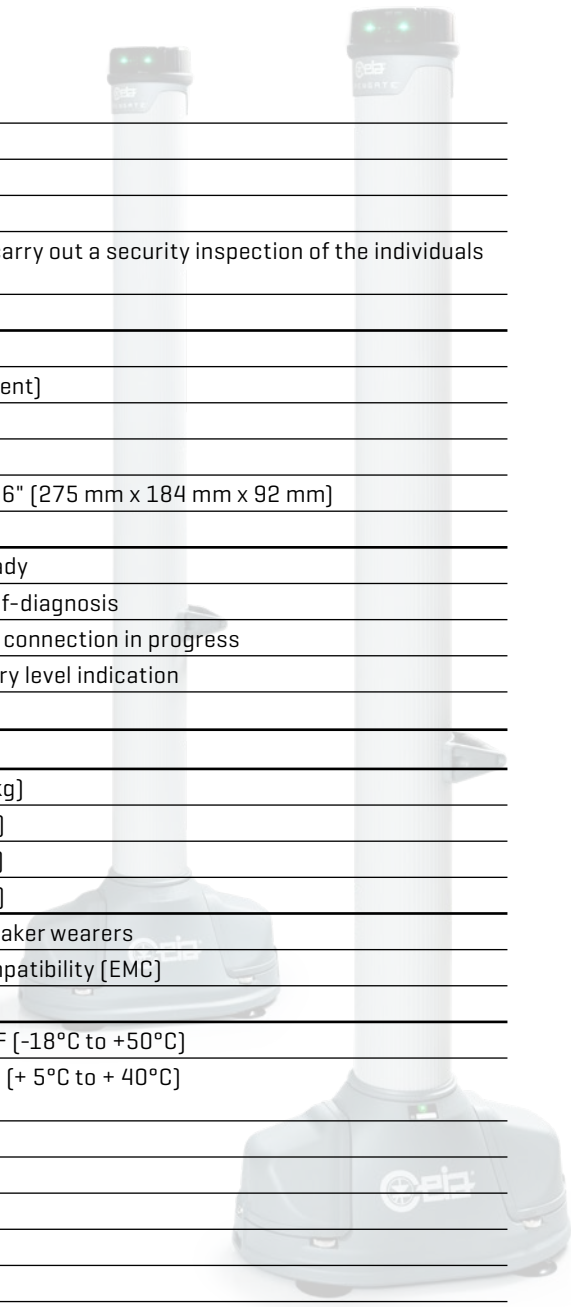
TOP VIEW





SPECIFICATIONS

GENERAL FEATURES	Detection of multi-caliber weapons		
	Extremely high throughput		
	Quick setup, immediate use		
	No external mechanical or electrical connections		
	Fields of application: all places open to the public characterised by large crowds where it is necessary to carry out a security inspection of the individuals without undressing		
Operational transit width: 27" ÷ 39" [680 mm ÷ 1000 mm]			
POWER SUPPLY	Batteries	18V - 12Ah lithium ion	
	Operating time (4 batteries)	Up to 14 hrs [with operational battery management]	
	Dual Bay simultaneous fast battery charger.	Power supply voltage	220 - 240 V
	Standard Wall Outlet: 100...277V~ ±10%, 47...63Hz, 40 VA typical consumption	Charging time (2 batteries)	130 min
		Dimensions	10.8" x 7.2" x 3.6" [275 mm x 184 mm x 92 mm]
		Weight	3.5 lbs [1.6 kg]
ALARM SIGNAL	OPTICAL	Indicator lights displayed at the top of the column	GREEN: OK, Ready
			RED: Alarm, Self-diagnosis
			BLUE: Wireless connection in progress
			YELLOW: Battery level indication
	ACOUSTIC	Internal buzzer	
PROGRAMMING	Available through the CEIA OPENGATE FREE App - iOS or Android		
WEIGHT	MAIN COLUMN	Including batteries	33.5 lbs [15.2 kg]
		Without batteries	26.5 lbs [12 kg]
	SECONDARY COLUMN	Including batteries	30 lbs [13.7 kg]
		Without batteries	23 lbs [10.5 kg]
CERTIFICATES AND COMPLIANCE	Compliant with applicable regulations on human exposure to electromagnetic fields and safety for pacemaker wearers		
	Compliant with EU regulations and international standards for Electrical Safety and Electromagnetic Compatibility (EMC)		
	Harmless to magnetic media		
AMBIENT CONDITIONS	Operating temperature	OPENGATE	-0.4°F to 122°F [-18°C to +50°C]
		Battery charger and battery being charged	40°F to 105°F [+ 5°C to + 40°C]
	Storage temperature	-34°F to 122°F [-37°C to +50°C]	
	Relative humidity	0 to 95%, without condensation	
	Altitude	up to 9,800 ft [3,000 m]	
	Installation category	II [IEC61010-1]	
	Pollution rating	2 [IEC61010-1]	
	Maximum intensity of emitted magnetic field	< 40 db uA/m @ 10 m	



KEEPING SCHOOLS SECURE



OPENGATE®



CEIA USA Ltd - 6336 Hudson Crossing Parkway, Hudson OH 44236
P 330-405 3190 • F 330-405 3196 • E security@ceia-usa.com • CALL (833) 224-2342 (CEIA)

www.ceia-usa.com